

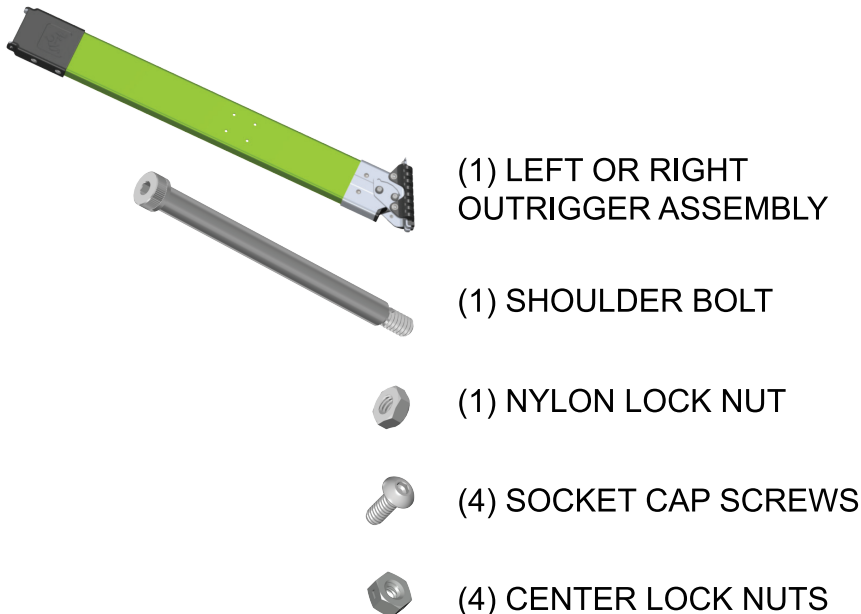
# OUTRIGGER REPLACEMENT

READ THESE INSTRUCTIONS COMPLETELY BEFORE YOU START. IF YOU DON'T UNDERSTAND THESE INSTRUCTIONS, PLEASE CALL 800-453-1192 FOR ASSISTANCE

Procedure for replacing the Outrigger on Little Giant Ladder Systems **HYPERLITE™** **SUMOSTANCE®** ladders.

1. Failure to comply with all instructions may result in serious injury.
2. Make sure this kit is compatible with your ladder. Before installing this kit, identify all kit components. If any components are missing, damaged or if you have any questions concerning the use of this kit on Little Giant Ladder Systems products, please contact our Customer Experience Team at 800-453-1192. Do not substitute any components.
3. Inspect the ladder before installing this kit. Repair or replace any damaged or missing parts before using the ladder. Use only Little Giant Ladder Systems repair or replacement parts. If you are unable to repair it, discard the ladder.

## COMPONENTS IN KIT

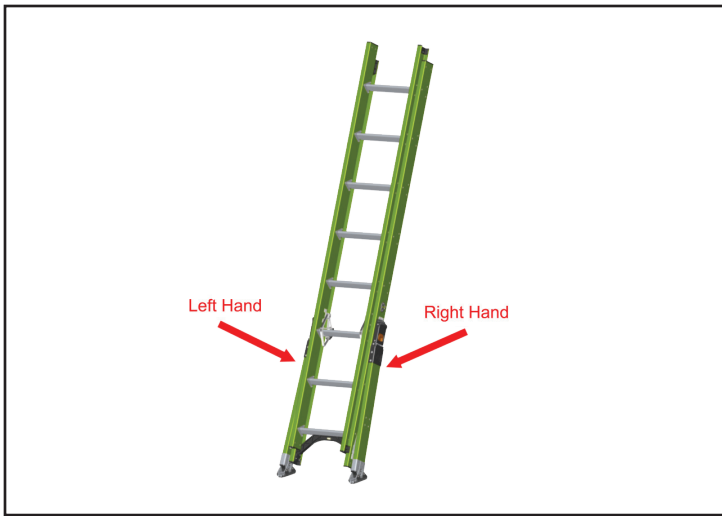


## TOOLS NEEDED

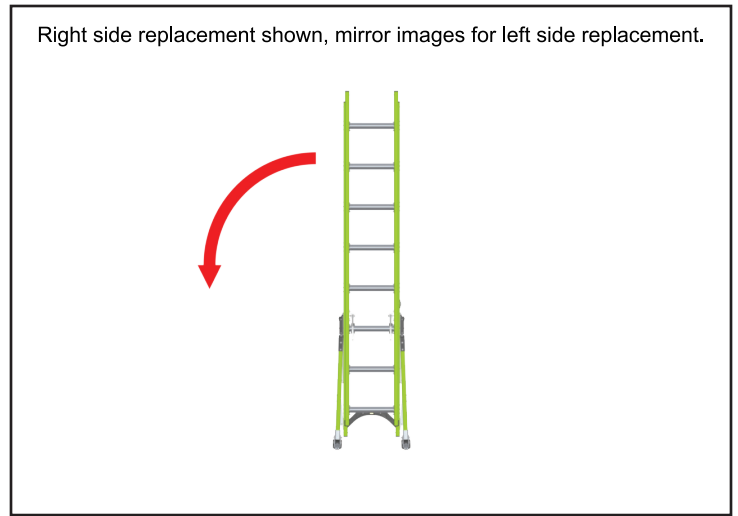


NOTE: IF ANY OTHER PART OF THE LADDER IS DAMAGED BEFORE OR DURING THE PROCESS OF INSTALLING AND/OR REPAIRING, PLEASE CONTACT OUR CUSTOMER EXPERIENCE TEAM FOR ASSISTANCE AT 800-453-1192.

**DO NOT USE A DAMAGED LADDER!**

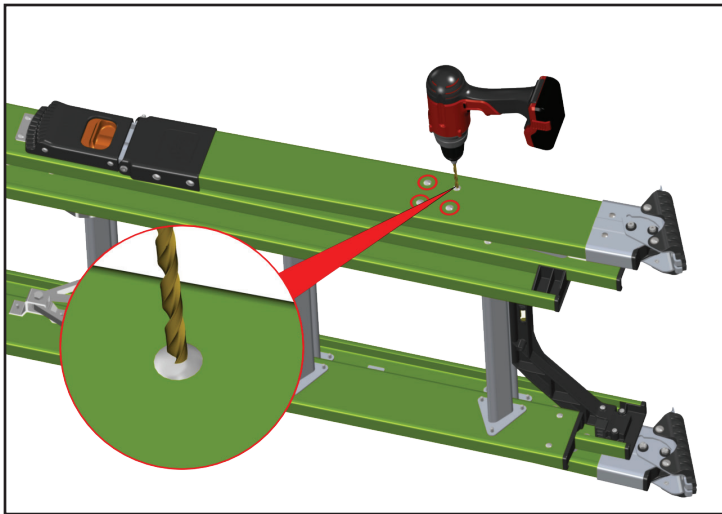


1. Identify the outrigger being replaced. Confirm the foot on this outrigger faces the same direction as the one in the kit. If it does not match, please call our Customer Experience Team at 800-453-1192 for assistance.

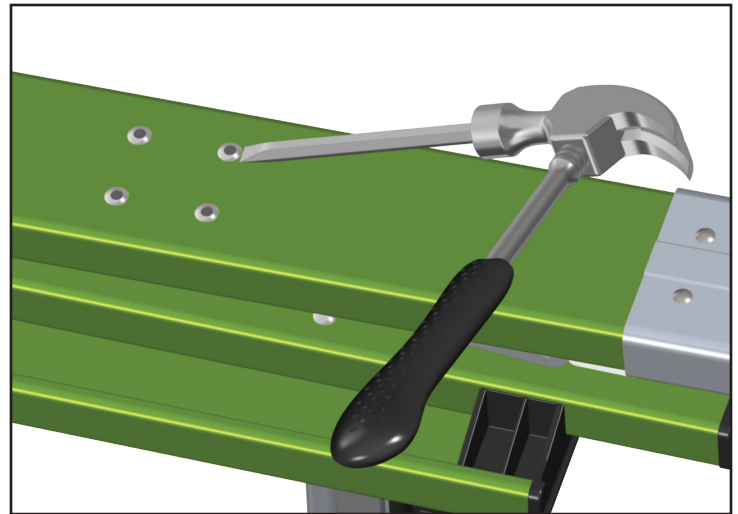


Right side replacement shown, mirror images for left side replacement.

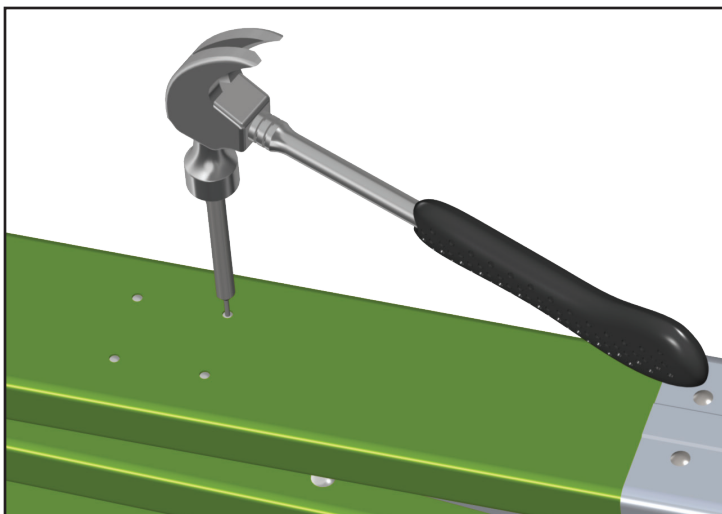
2. Lay the ladder on its side with the outrigger being replaced facing up.



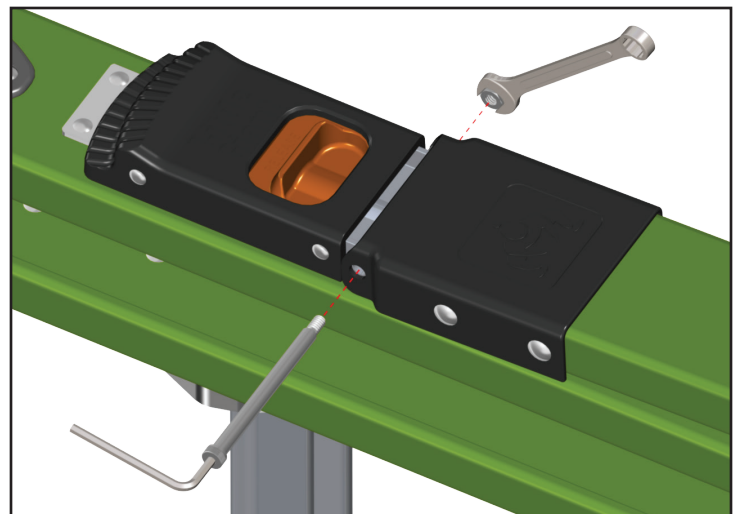
3. Using a 3/16" drill bit, drill through the rivet heads connecting the outrigger to the support arm.



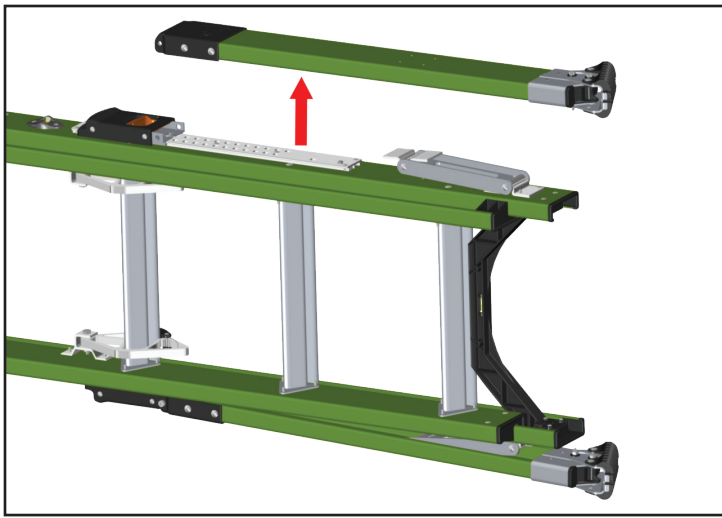
4. Use a hammer and chisel to remove any excess rivet head material from the rail.



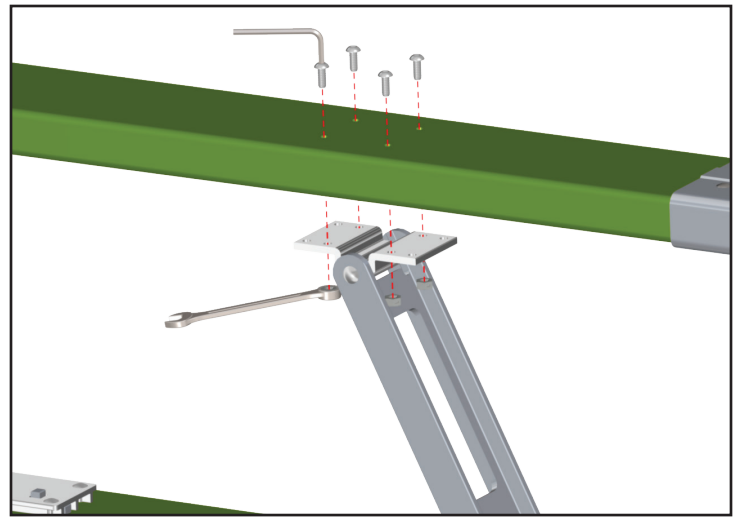
5. Use a hammer and punch to completely remove the drilled rivets.



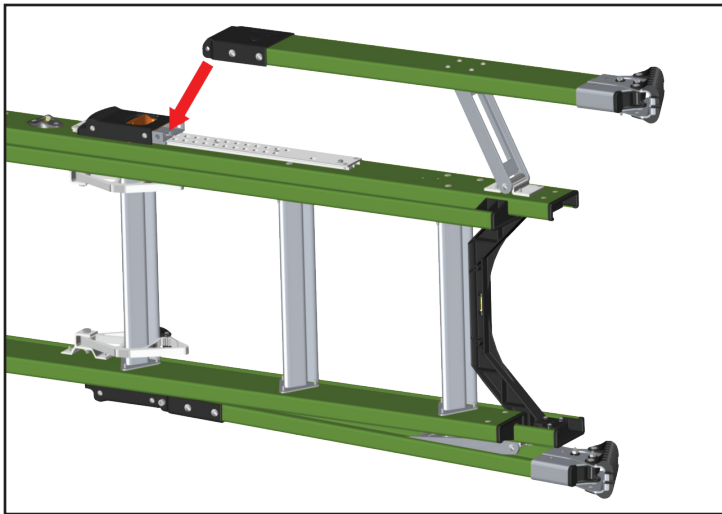
6. Using a 5/32" Allen wrench and 7/16" wrench, remove and discard the existing shoulder bolt and lock nut.



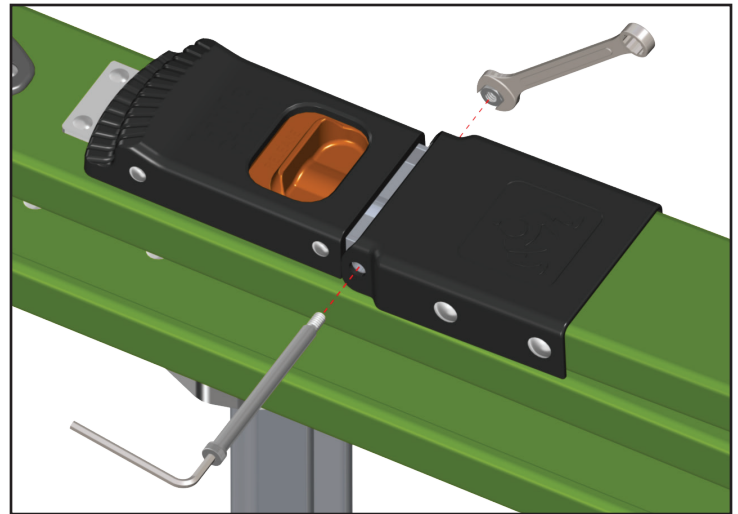
7. Remove and discard the existing outrigger.



8. Align the replacement outrigger with the support arm bracket. Using a 1/8" Allen wrench and 3/8" wrench, tighten the new socket cap screws and lock nuts.



9. Align the outrigger with the lock assembly.



10. Using a 5/32" Allen wrench and 7/16" wrench, align and tighten the new shoulder bolt and lock nut.



11. Confirm new outrigger is secure and functioning properly before use.